

WASSENBURG® WD440 PT

Pass through endoscope washer-disinfector

Optimum safety in workflow

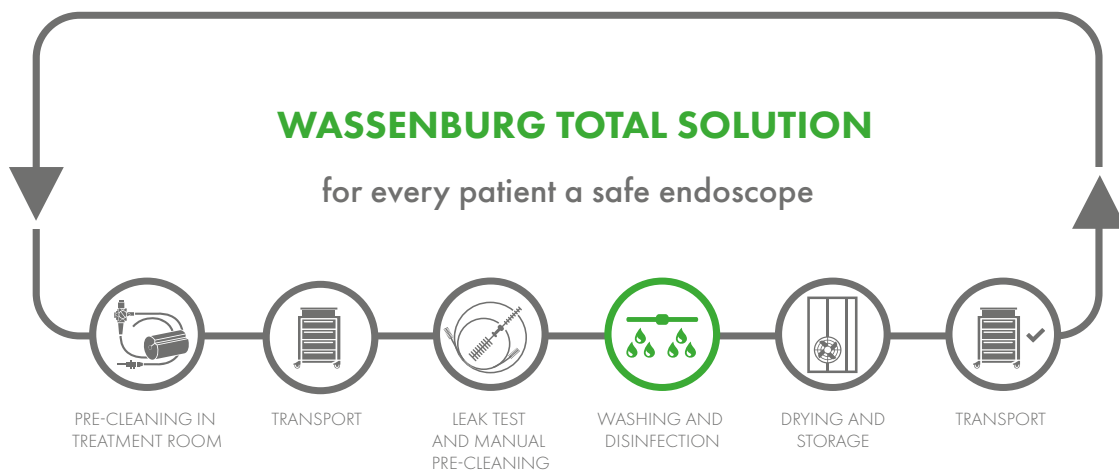




WD440 PT TOTAL SOLUTION

TOTAL SOLUTION

A clean and disinfected endoscope is an important prerequisite to ensure safety for every patient and each procedure. Therefore, we offer a complete range of systems, consumables and services covering the entire endoscope reprocessing cycle: the total solution.



FOR EVERY PATIENT A SAFE ENDOSCOPE

The WASSENBURG® WD440 PT is designed for controlled cleaning and disinfection of flexible endoscopes and other thermolabile medical devices. Our user friendly WASSENBURG® WD440 PT provides you with the highest control- and safety levels.

BENEFITS OF THE WASSENBURG® WD440 PT

- Compliant to ISO 15883
- Optimum safety
- Process assurance
- User friendly
- High capacity
- Safety in workflow
- Full traceability



CONTROLLED PROCESS

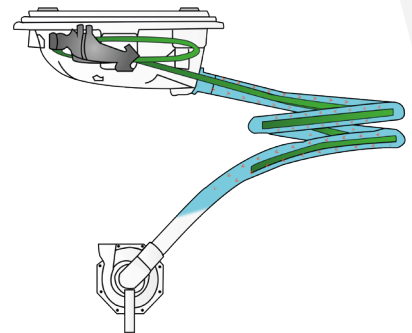
COMPLIANT TO ISO 15883

The WASSENBURG® WD440 PT is fully compliant to ISO 15883 and contains an IMS that is fully independent from the process controller. It monitors the critical process parameters, hereby safeguarding the process and enabling data analysis of the critical process parameters in Process Manager.

OPTIMUM SAFETY

To ensure complete cleaning and disinfection of endoscopes, the WASSENBURG® WD440 PT contains a unique basin and helical tube system. Fluid flow in the helical tube lifts the distal end from the wall, allowing fluid to contact it everywhere.

Proven Wassenburg individual channel pump- and connection technology is the core of the system. Each endoscope channel is reprocessed and controlled individually on connection, flow, pressure and blockage.



SAFEGUARDING THE PROCESS WITH RFID

To guarantee a safe and traceable appliance of process chemicals and bacterial filters, the WASSENBURG® WD440 PT is equipped with radio-frequency identification (RFID). Before starting a process, the WASSENBURG® WD440 PT will verify the right position of cans and filters and checks on exceeded expiry dates and other critical parameters, hereby minimizing the risk of human error.

USER FRIENDLY

The user interface of the WASSENBURG® WD440 PT is designed around intuitive and touchless operation. Handsfree operation of the lid, using foot sensors, means ease of use and reduces the risk of cross-contamination. Clear LED bars in the front panel of the machine indicate the status of the process. Colour-coded connection material facilitates easy and flawless endoscope connection, assisted by an intuitive colour touchscreen that guides the user through all necessary steps.



USABILITY

HIGH CAPACITY

Our EndoHigh® process chemicals – consisting of a detergent in combination with peracetic acid (PAA) or glutaraldehyde (GTA) – are exclusively developed for the Wassenburg washer-disinfectors. All process chemicals are tested in vitro and type-tested according to ISO 15883. They provide an excellent and safe process performance, and a quick endoscope reprocessing cycle (22 minutes for PAA).

Two separate operating basins give easy access to individually loaded and connected endoscopes and prevent unnecessary waiting. The basins are specifically designed to minimise water consumption and to keep a constant process temperature. In addition, contact between the endoscope and the basin is kept to a minimum.

SAFETY IN WORKFLOW

The WASSENBURG® WD440 PT can be installed in a wall, providing a physical separation between the clean and the contaminated area, with very low air leakage. It controls the endoscope transportation from the contaminated to the clean area, and is perfectly suited for Central Sterilization Departments.

FULL TRACEABILITY

Our solutions are designed to contribute to a fully controlled and safe treatment of flexible endoscopes. Traceability is key to control your operation and necessary for compliance with guidelines. The integrated traceability supports the user in achieving compliance with applicable quality systems.

All steps of the cleaning and disinfection process in the WASSENBURG® WD440 PT are traced and monitored in detail, with a report sent to an integral printer and optionally to our dedicated WASSENBURG® Process Manager software. Process data is collected and provides meaningful information about all processes that have occurred in the washer-disinfector.

Process Manager works seamlessly with the WASSENBURG® WD440 PT to comply with regulations and provides valuable insights into day-to-day operations, helping you to improve reliability and availability of your endoscopes.



TECHNICAL SPECIFICATIONS

All Wassenburg washer-disinfectors are CE-marked, fulfil the essential requirements of the Medical Device Directive 93/42/EEC and are compliant with ISO 15883 part 1 and part 4.

WASSENBURG® WD440 PT

Dimensions	1100 (w) x 790 (d) x 2060 (h) mm
Weight	325 kg (unloaded)
Sound level	60 – 65 dBA in use, 50 dBA not in use
Power requirements	220 – 240 V, 50Hz / 60 Hz
Electrical connection	Plug with ground connection
Interface	Ethernet/TCP/IP
User interface	7.0" TFT Touchscreen
Min / max pressure	2.5 / 4 bar
Min flow rate water supply	10 l/min
Water usage	Approx. 35l per standard cycle
Water quality	Potable

Please contact your WASSENBURG® supplier for the full installation specifications of the WASSENBURG® WD440 PT.

Contact information

Wassenburg Medical B.V.
Edisonring 9
6669 NA DODEWAARD
THE NETHERLANDS

T: +31 (0) 488 700 500
F: +31 (0) 488 453 685
info@wassenburgmedical.nl
www.wassenburgmedical.com



Wassenburg Medical, a member of the Hoya Corporation, is a world leading company specialised in the development and manufacture of innovative products and services to optimise the process of endoscope reprocessing. We are continuously expanding our business and product portfolio and have a highly experienced international distribution network. Please visit our website for further information.

© Copyright 2018. Subject to alterations.